



Upgrade your lathe to coolant through without losing machining range

SMART & EASY

Existing driven tools can be easily converted to through coolant

SLIM & SHORT

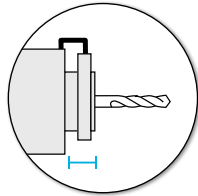
Improved design providing the minimized interference contour

reCool® ERAX

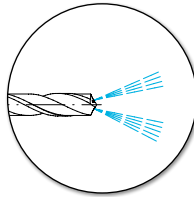
The patented solution to retrofit driven tools to internal coolant tools – New and improved



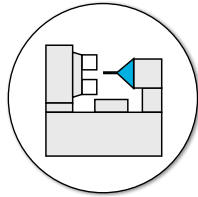
Increase productivity with reCool®



Designed for internal threaded live tools



Upgrade to internal coolant easily

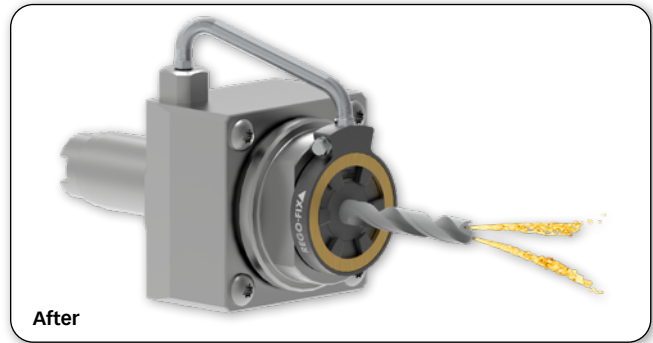
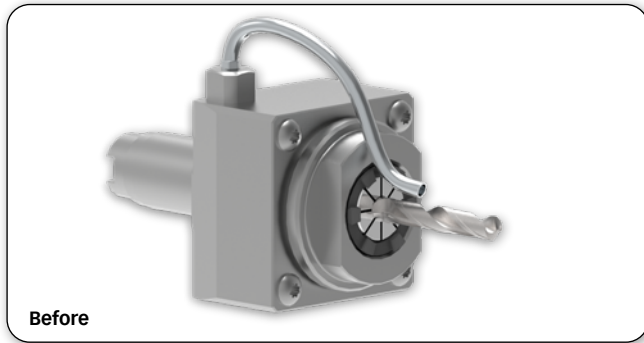


Optimized for lathe machines

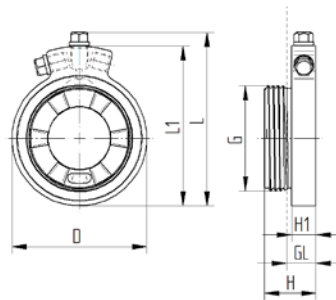
Get your free reCool® ERAX test now!

Learn more at try.rego-fix.ch/recool/retrofit

Retrofit driven tools and turning machines to internal cooling with reCool®



- // For driven tools with inner thread
- // Short design: optimising machining range
- // Maximum pressure 100 bar
- // Maximum RPM 12000 min⁻¹
- // Tools shank diameter 3–20 mm
- // Suited for emulsion and oil
- // For ER collets to ISO 15488/DIN 6499
- // To be used with KS/DS disks



Type	Part no.	d [mm]	L [mm]	L1 [mm]	H [mm]	H1 [mm]	GL [mm]	G
Coolant supply system with outer thread, rotational								
RCR/ERAX 16	3716.29000	34,0	46,0	41,5	14,5	7,6	9,0	M24 x 1,0
RCR/ERAX 20	3720.29000	37,5	49,5	45,0	15,5	7,6	9,0	M28 x 1,5
RCR/ERAX 25	3725.29000	41,0	53,0	48,5	15,8	7,6	9,0	M32 x 1,5
RCR/ERAX 25-QF	3725.29040	41,0	52,7	48,5	15,95	7,6	9,0	M40 x 1,5
RCR/ERAX 32	3732.29000	49,0	61,0	56,5	16,9	7,6	9,0	M40 x 1,5
RCR/ERAX 32-QF	3732.29040	50,0	61,2	57,0	18,05	7,6	9,0	M50 x 1,5

Included in delivery:
RBA12 M5x0.5, coolant connection suitable for WTO QuickFlex®, tool holders.



RCR/ERAX

Type	Part no.	Length	Included
Steelflex hose for RCR/ERAX			
SET RHS-AX L080	3799.99080	80 mm	Hollow bolt SET HS6100RF6
SET RHS-AX L100	3799.99100	100 mm	Hollow bolt SET HS6100RF6
SET RHS-AX L120	3799.99120	120 mm	Hollow bolt SET HS6100RF6



Steelflex hose

Type	Part no.	Description
Hollow bolt for RCR/ERAX		
SET HS8100RF8	3799.90808	Hollow bolt M8x1.00 mm and ringfitting Ø 8.00 mm
SET HS8125RF8	3799.90818	Hollow bolt M8x1.25 mm and ringfitting Ø 8.00 mm
SET HS6100RF6	3799.90606	Hollow bolt M6x1.00 mm and ringfitting Ø 6.00 mm



Hollow bolt set