

Perfectly clamped grinding pins with powRgrip®

PRECISE

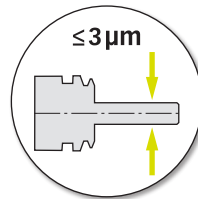
Highest runout accuracy and excellent vibration damping for best surfaces.

VERSATILE

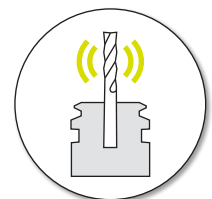
Various designs and collets for different grinding applications.

powRgrip®

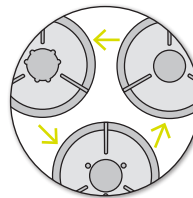
The tool clamping system of today and the future.



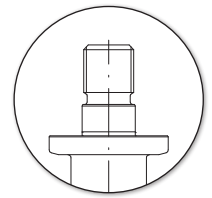
Total system runout
≤ 3 μm at 3 x D



Excellent vibration
damping



Coolant system changed
within seconds



HJNZ interface
(HJNZ spindles)

Test powRgrip® free of charge!

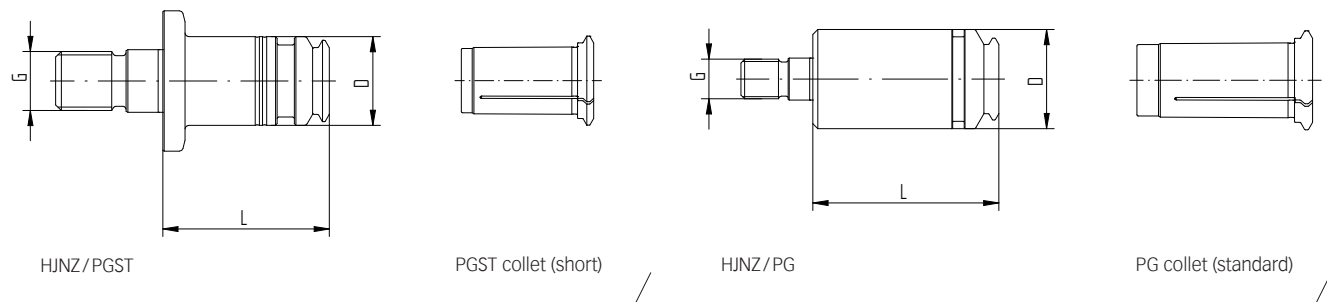
Get more information at try.rego-fix.ch/toollife

Stability, vibration damping and precision: New benchmark for internal grinding

The advantages of powRgrip® in grinding applications have been proven many times in applications with HSK interfaces. Developed in close cooperation with grinding machine manufacturers, the HJNZ holders offer extensive advantages over the common ER and grinding quill solutions.

The high concentricity favors dressing while the vibration damping provides significantly better surface finishes. The high rigidity allows increased cutting parameters and ensures more reliable dimensional accuracy. In addition, the various cooling options of the powRgrip® collets ensure ideal supply of cutting fluids.

In combination with the newly developed, extra short PGST collets, a low overall length is also achieved. HJNZ holders are manufactured according to Fischer Spindle specifications.



Type	Part. No.	G	L	D	SW	Nm
HJNZ 21						
HJNZ 21/PG 25 x 075	8267.21253	M22 x 1.5	75	40	-	72
HJNZ 21/PGST 25 x 055	8267.21251	M22 x 1.5	55	40	-	72
HJNZ 21/PG 15 x 060	8267.21152	M22 x 1.5	60	24	24	72

Type	Part. No.	G	L	D	Nm
HJNZ 28					
HJNZ 28/PG 15 x 060	8267.28152	M16 x 1.5	60	24	53
HJNZ 28/PGST 15 x 045	8267.28151	M16 x 1.5	45	24	53
HJNZ 28/PG 25 x 075	8267.28253	M16 x 1.5	75	40	53
HJNZ 28/PGST 25 x 055	8267.28251	M16 x 1.5	55	40	53

Type	Part. No.	G	L	D	SW	Nm
HJNZ 50						
HJNZ 50 / PG 6 x 033	8267.50060	M8	10	24	10	16
HJNZ 50 / PG 10 x 049	8267.50101	M8	49	16	17	16

Type	Part. No.	G	L	D	SW	Nm
HJNZ 60						
HJNZ 60 / PG 6 x 033	8267.60060	M7	33	10	10	16

Type	Part. No.	Type	Part. No.
Freewheel wrench heads		Grip bars	
A-FLS Ø 24/MRM 16 (PG 15)	7855.16800	G-A	7655.99900
A-FLS Ø 40/MR 25 (PG 25)	7855.25000	TORCO-FIX II (40.0-200.0 Nm)	7150.20200

Items without wrench size SW require a freewheel wrench with a corresponding torque wrench.
Items with wrench size SW can be tightened with standard hexagonal torque wrenches.